

# CPL™ + Series

CPL™ 25C<sup>+</sup> - 2-way Coaxial Passive Speaker

CREST  
AUDIO®



## Description

The Crest Audio CPL 25C<sup>+</sup> is a compact passive two-way coaxial loudspeaker designed for music playback, public address and live performance reinforcement applications where space is at a premium.

The CPL 25C<sup>+</sup> can be utilized for both permanent installations and portable live sound applications. Perfect for public address, monitoring and background audio reinforcement purposes typically required in houses of worship, clubs, bars/restaurants, retail outlets plus education and corporate meeting facilities or anywhere high quality discrete audio distribution is required.

The CPL 25C<sup>+</sup> is equipped with two premium 5 inch woofers having a 1.5 inch voice coil together with one coaxially mounted 1 inch exit Neodymium compression driver known for its smooth frequency response and non-fatiguing mid range. Conical directivity pattern of the loudspeaker is measured at 80° providing a wide yet well controlled audio coverage. An internal advanced crossover network maintains EQ and driver protection. Impedance of the loudspeaker is 8 Ohms allowing for easy daisy chaining. Connectivity is made via either looping 4-pin twist-lock or 4-pin Euroblock connectors.

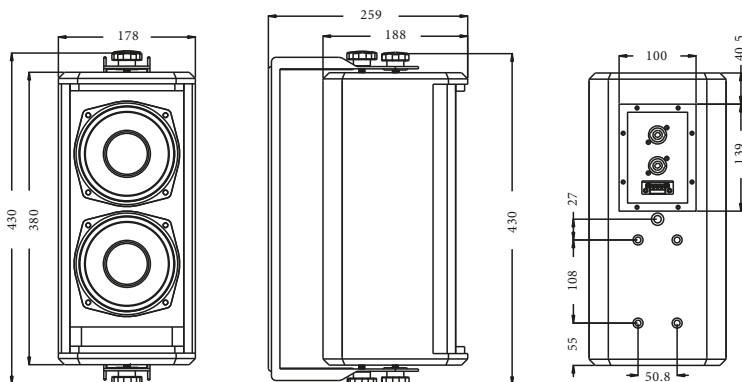
The CPL 25C<sup>+</sup> enclosure is built from prime-grade 15 mm plywood that offers sturdy mechanical and low resonant electro-acoustic characteristics together with a heavy-duty steel grille backed with acoustic foam to ensure maximum protection of the internal components. The loudspeaker is equipped with a total of 7 threaded suspension points offering multiple mounting options for various applications. Available in durable black and white finish.

## Features

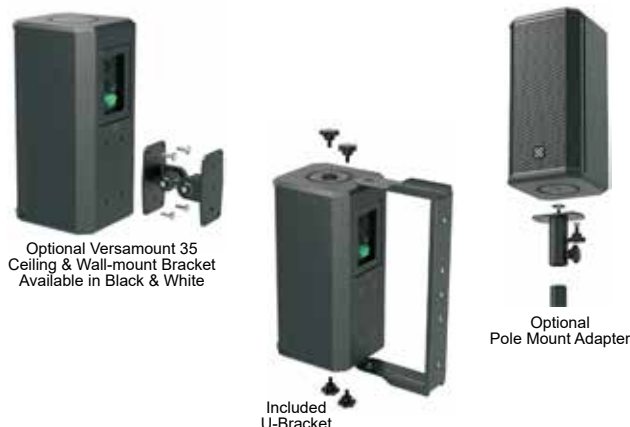
- Compact passive two-way coaxial loudspeaker
- Two premium 5" woofer, 1.5" voice coil
- 1" Neodymium compression driver, 1.4" voice coil
- Continuous power handling: 200 Watts
- Nominal impedance: 8 Ohms
- Coverage pattern (HxV): 80° x 80°
- Connectors: 2 x 4-pin twist-lock & 4-pin Euroblock
- 2+/- Loop Through
- Advanced crossover network
- Tweeter protection
- U-Bracket included
- 15 mm Plywood construction
- Textured polyurea paint
- 3 x M8 suspension points (1 top, 1 bottom, 1 rear)
- 4 x M6 suspension points for Peavey® Versamount™ 35
- Available in Black and White

Configuration:	2-way Coaxial Passive Speaker	Pole Mount:	Optional with special adapter
Power Continuous (Watts):	200	U-Bracket:	Included
Power Peak (Watts):	800	Enclosure Design:	Rectangular
Sensitivity (1W/1m):	94 dB	Enclosure Material:	0.6" (15 mm) Plywood
Max SPL Peak:	123 dB	Black Finish:	Textured Polyurea Paint
LF Driver:	2 x 5" (130 mm) - Crest Audio KP5W38	RAL #:	9004 Signal Black (Pantone: Black 6)
Woofer Voice Coil:	1.5" (38 mm)	White Finish:	Textured Polyurea Paint
HF Driver:	1 x 1" (25.4 mm) Neodymium - Crest Audio 5C36NP1	RAL #:	9003 Signal White (Pantone: 705)
HF Driver Voice Coil:	1.4" (36 mm)	Tweeter Protection:	Yes
Nominal Coverage (HxV):	80° x 80°	Rubber Feet:	No
Frequency Range (-10 dB):	91 Hz - 20 kHz	Handles:	No
Frequency Response (±3 dB):	132 Hz - 20 kHz	Loop Thru (2+/2-):	Yes
Nominal Impedance:	8 Ohms	Logo Position on Grille:	Bottom Center
Input Connectors 1:	2 x 4-pin twist-lock (NL-4 style)	Logo Size:	25 x 25 mm
Input Connectors 2:	1 x 4-pin Euroblock	Grille Foam Backing:	Yes (acoustically transparent)
Suspension Points Top:	1 x M8	Grille Mesh Size (mm):	3 x 12
Suspension Points Bottom:	1 x M8	Monitor Tilt Angle:	No
Suspension Points Rear:	5 x M6 (4 x for optional Versamount 35)	Net Weight:	20 lbs (9.1 kg)
Mounting Points for U-Bracket:	Yes (2 x M8 - Top & Bottom)	Dimensions (HWD):	14.96" x 7.01" x 7.4" (380 x 178 x 188 mm)

### Dimensions



### Accessories



### Architect's & Engineer's Specifications

The compact coaxial loudspeaker shall consist of two 5 inch (130 mm) low frequency transducers with 1.5 inch (38 mm) voice coil and one coaxially mounted 1 inch (25.4 mm) exit Neodymium compression driver with a 1.4 inch (36 mm) voice coil and a frequency dividing network installed within the enclosure.

Performance specifications of a typical production unit shall be: Measured sensitivity SPL at 1 m (3.3ft) with 2.83V input, shall be 94 dB-SPL. Usable frequency response shall extend from 91 Hz to 20 kHz (10 dB below rated sensitivity, in full space, with no external equalization). Nominal impedance shall be 8 Ohms. Rated power capacity shall be at least 200 Watts continuous power and 800 Watts peak power, defined as 6 dB above a test signal of filtered random noise.

The system shall be protected against damage from occasional over-powering limiting the power to the network and transducers. The coaxial neodymium compression driver shall be capable of even coverage at a nominal 80° horizontal through 80° vertical distributed pattern.

The enclosure shall be constructed from prime-grade 15 mm plywood. The loudspeaker shall be equipped with a total of seven (7) suspension points. The grille shall be of heavy-duty steel backed with acoustically transparent foam. The external wiring shall be via either two 4-pin twist-lock or one 4-pin Euroblock connectors. The loudspeaker shall be 14.96 inches (380 mm) high by 7.01 inches (178 mm) wide by 7.4 inches (188 mm) deep weighing 20 pounds (9.1 kg). The finish shall be a paintable lightly textured black or white.

The compact coaxial loudspeaker shall be the Crest Audio CPL 25C<sup>+</sup> with included U-Bracket.