

inDESIGN ID-PS30 PROJECTOR SPEAKER



The ID-PS30 projector speaker is a full range IP66 weather rated ABS plastic injection moulded speaker product.

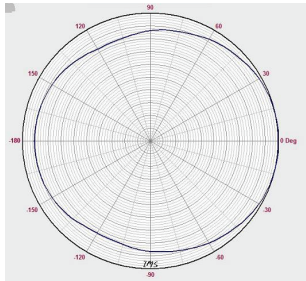
Suitable for full range background music and paging applications providing medium throw distance with a dispersion of 90°H x 60°V.

SPECIFICATIONS

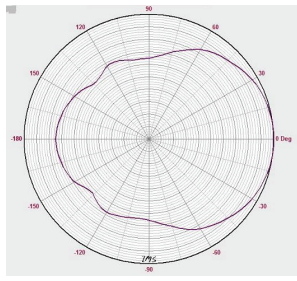
Driver:	1 x 5 inch full range
Frequency Response:	100Hz – 10kHz
Sensitivity:	93dB @ 1W/1m
Dispersion:	90°H x 60°V
Impedance:	8Ω nominal
Power Handling:	30 watts RMS @ 8Ω
100V Tapping:	30, 15, 7.5, 3.8 watts
70V Tapping:	30, 15, 7.5, 3.8, 1.9 watts
IP Rating:	IP66
Operating Temperature:	-25°C – 55°C
Main Construction:	UV rated ABS plastic cabinet, off-white colour
Dimensions (W x H x D):	365mm x 173mm x 272mm
Weight:	3kg

POLAR CURVE

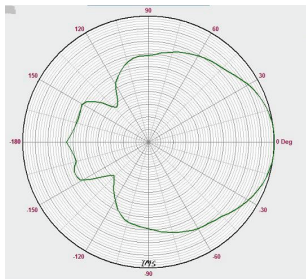
500 Hz



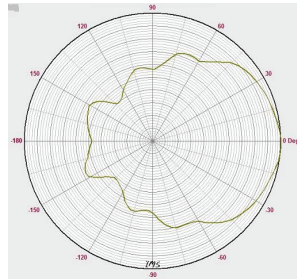
1 kHz



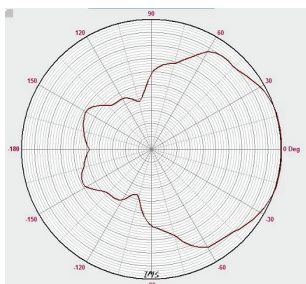
2 kHz



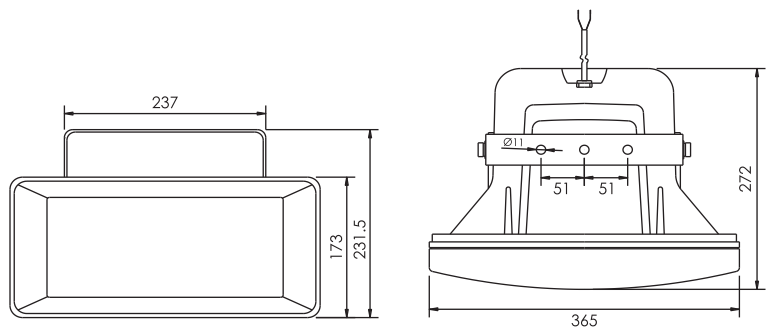
4 kHz



8 kHz



DIMENSIONS (mm)



RESPONSE CURVE (1W @ 1m)

