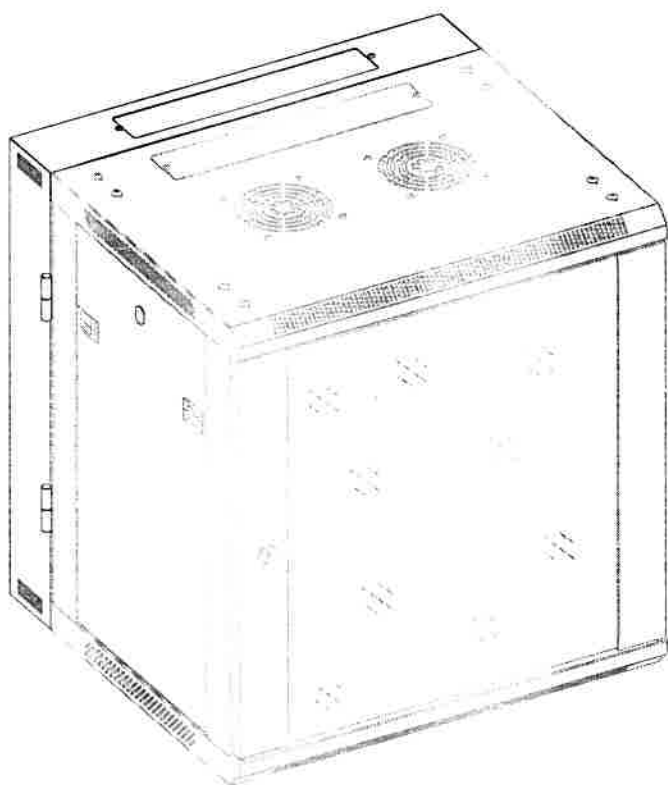
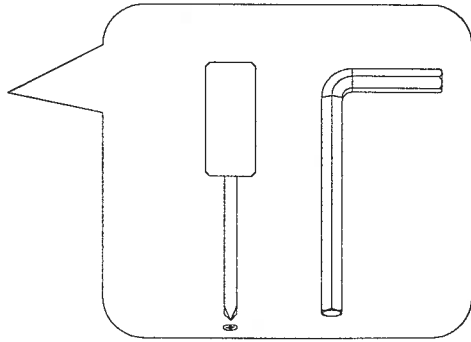
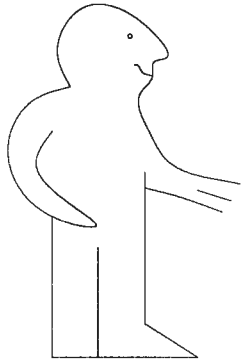


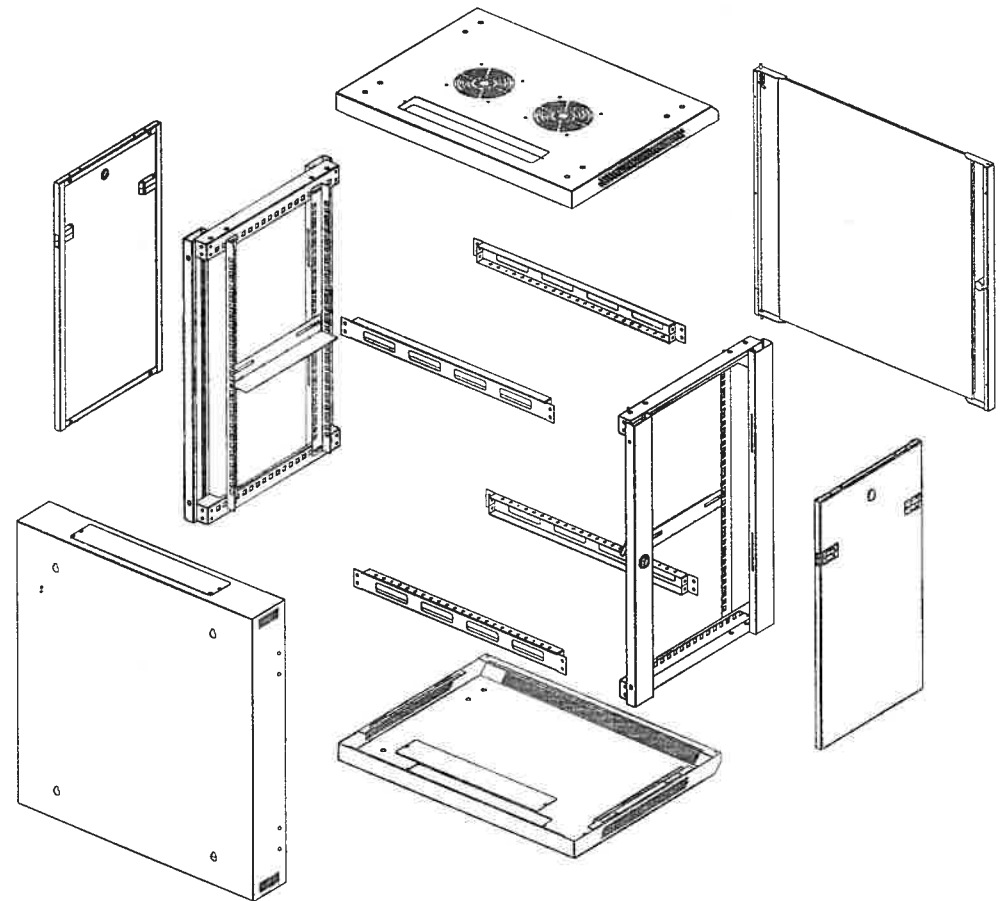
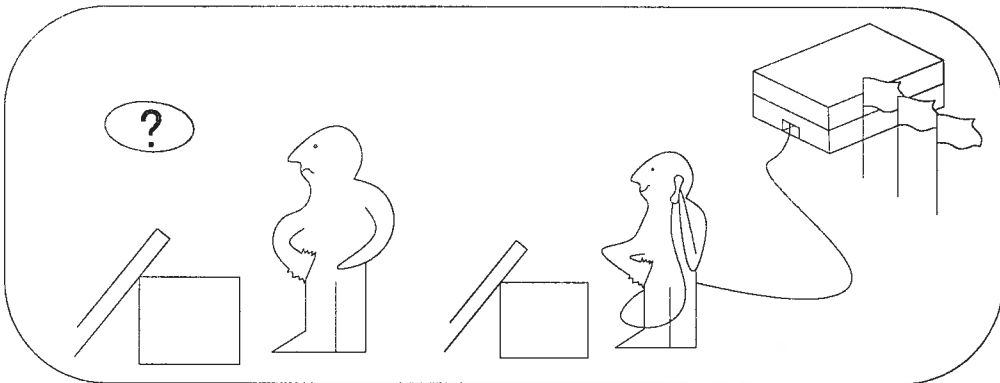
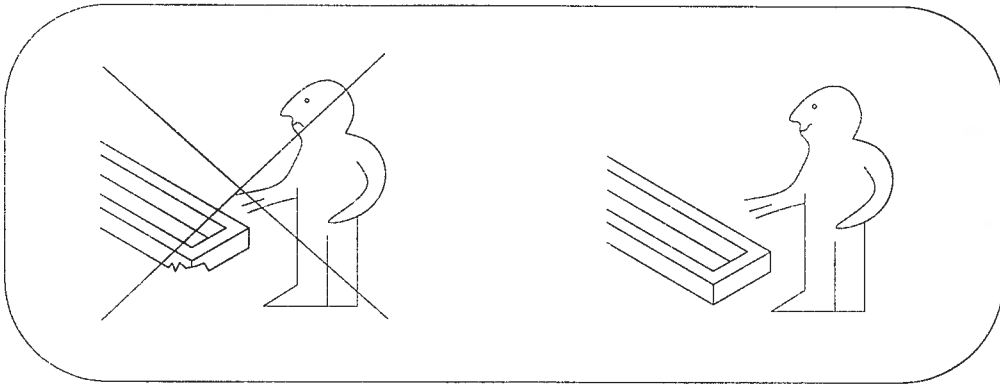
# Installation instructions for wall mounted box





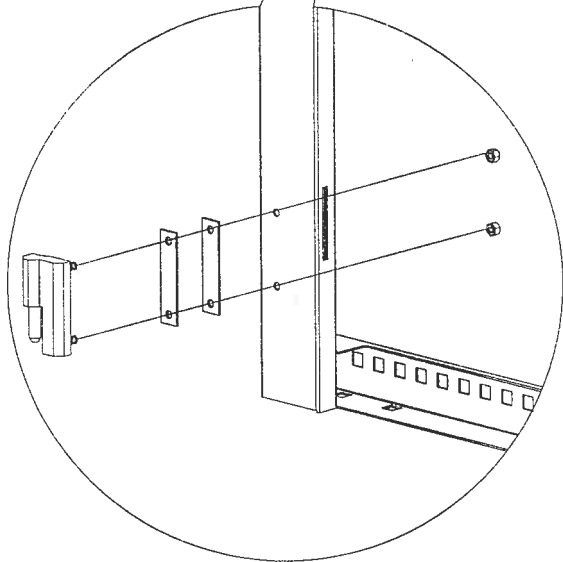
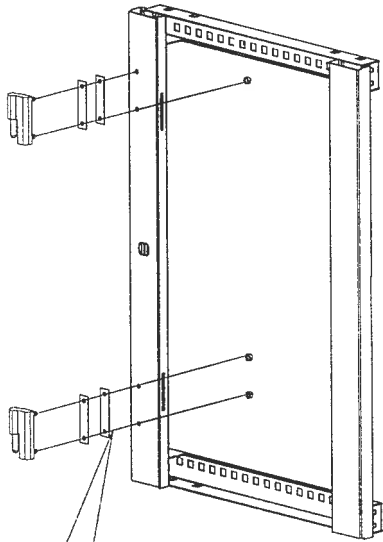
## Specification:

Part number	Capacity (U)	Width (mm)	Depth (mm)	Height (mm)
06-655	6	600	550	370
09-655	9	600	550	503
10-655	10	600	550	548
12-655	12	600	550	636
15-655	15	600	550	770
18-655	18	600	550	903





M5



Capacity ITEM QTY	6U	9U	10U	12U	15U	18U
M6*12	28	28	28	28	32	32
M6	12	12	12	12	16	16
M5*8	18	18	18	18	18	18
M5 pin	2	2	2	2	2	2
M5*8	2	2	2	2	2	2



M6X12



M5X8



M6



M5 pin



M5 flange nut

