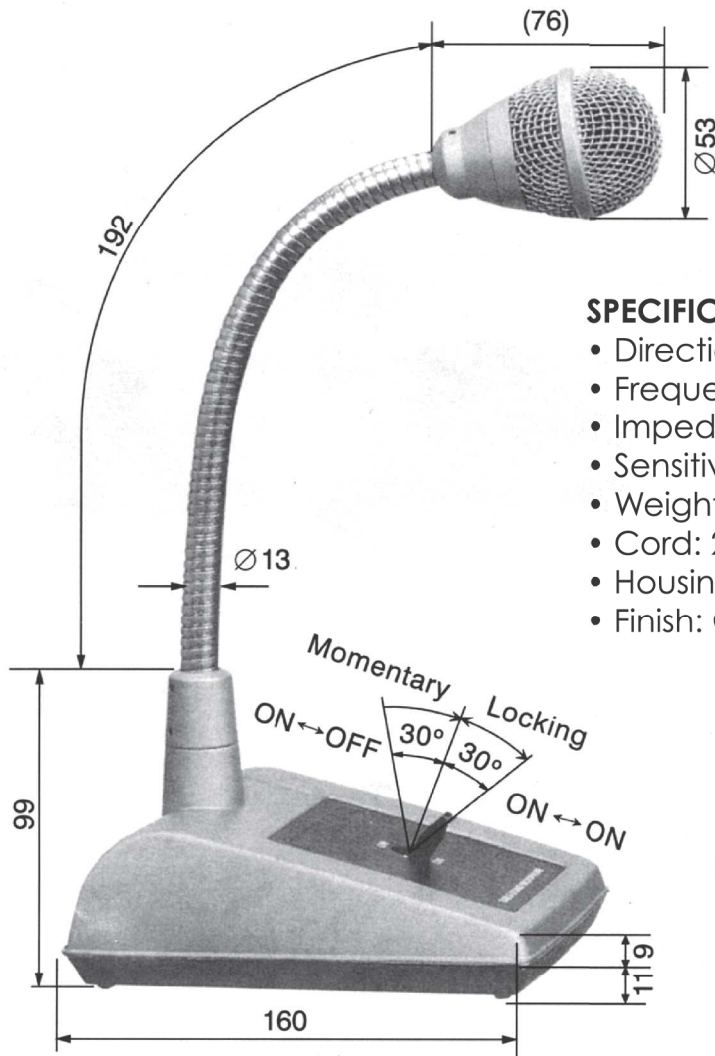




iDTX-526

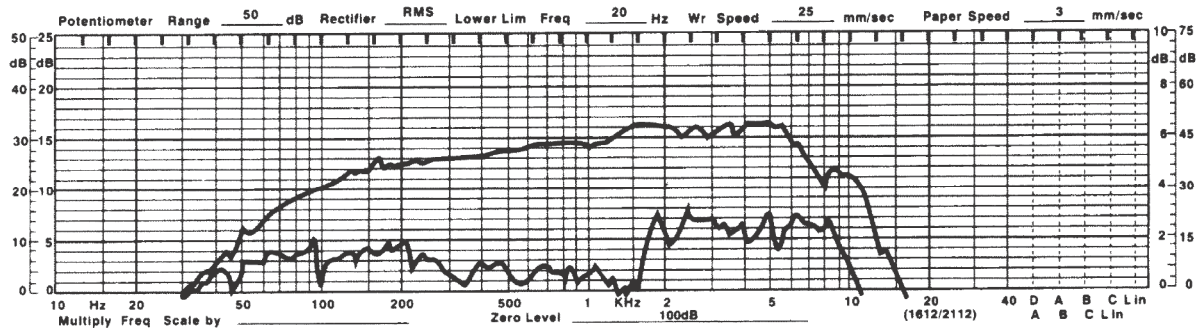
Desktop
Dynamic Microphone



SPECIFICATIONS

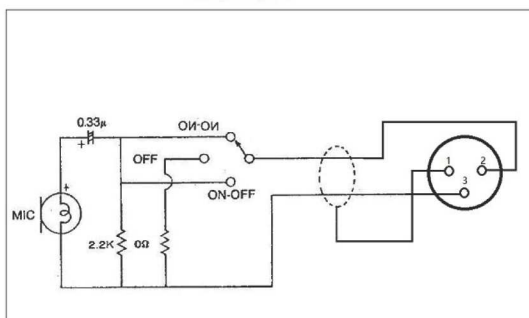
- Directional Characteristics: Uni-direction
- Frequency Response: 80 ~ 12,000Hz
- Impedance: $600\Omega \pm 30\%$
- Sensitivity: $-72\text{dB} \pm 3\text{dB}$
- Weight: 850g (without cord)
- Cord: 2 metres
- Housing: Die-cast Zinc
- Finish: Coating

TYPICAL FREQUENCY RESPONSE



CONNECTION

Standard



Optional

