



The NW-85M and NW-45F are handy tools to allow extension of audio signals over inexpensive category network cable. Send up to 4 balanced analogue or AES/EBU per CAT 6 or 7 shielded cable. A total of 8 balanced signals may be sent via 1 NW-85M and 2 x NW45F extension boxes. The extension boxes are passive, no power supply is required.

Features

- Rugged aluminium case construction
- XLR connections for balanced signals
- EtherCon RJ45 connections for reliable connections
- Send up to 8 balanced audio signals
- Extend balanced signal up to 200 metres (Analogue 200M – AES/EBU 100M)

Specifications

NW-85M

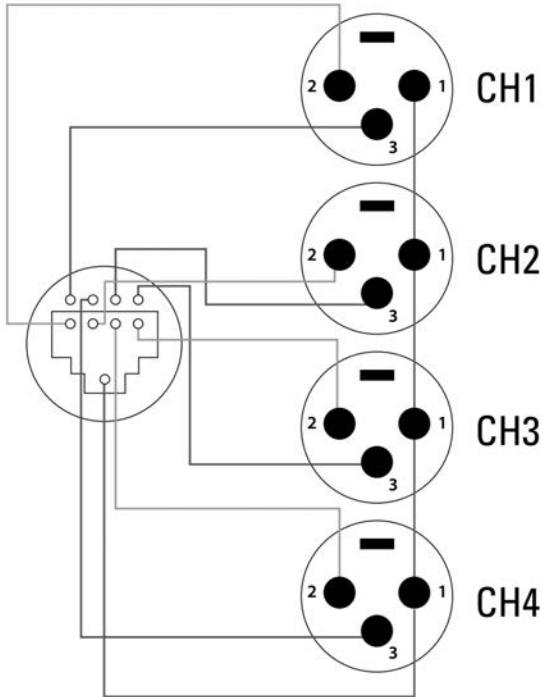
- Connections: 8 x 1 metre XLR male tails
2 x RJ45 EtherCon ports

NW-45F

- Connections: 4 x XLR Female D chassis connectors
1 x RJ45 EtherCon port

Category Network Cable Wiring Diagram

NOTE: CAT 6 OR 7 SHEILDLED CABLE, INCLUDING SHIELDED TERMINATED CONNECTORS MUST BE USED.



Application Example

