



INNOVATION. AMPLIFIED.®

# PVM™ 480

## Super Cardioid Condenser Microphone



### FEATURES

- Very effective super-cardioid directional pattern
- Powered from any 9-52 volt phantom power source
- Rugged brass handle with black powder coat finish
- Includes swivel adapter, and windscreen
- Permanently polarized condenser element (back-electret type)
- 20dB (typical) front to back rejection
- One of its best uses is for hi-hat and overhead cymbals

### SPECIFICATIONS

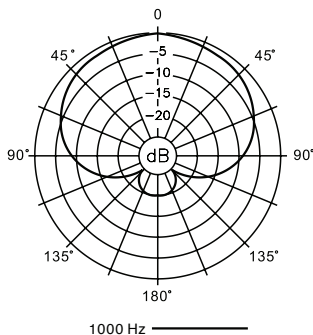
Type: Wide Dynamic Range  
 Pickup Pattern: Super Cardioid Directional  
 Frequency Response: 40Hz~20kHz  
 Sensitivity:  $-45\pm 2\text{dBV/pa}$   
 Impedance: 500 ohm  
 Max SPL: 128dB  
 Connector: XLR  
 Dimensions: 54 x 180mm  
 Net Weight: 367g

### Standard Accessories

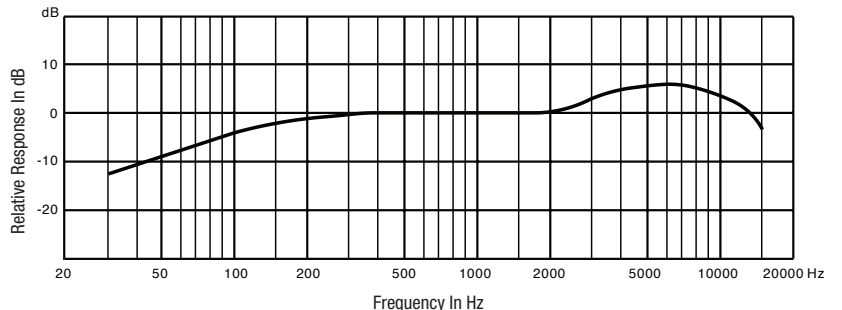
Hardshell case and mic clip with stand adapter



Pickup Pattern



Frequency Response



Features and specifications are subject to change without notice.