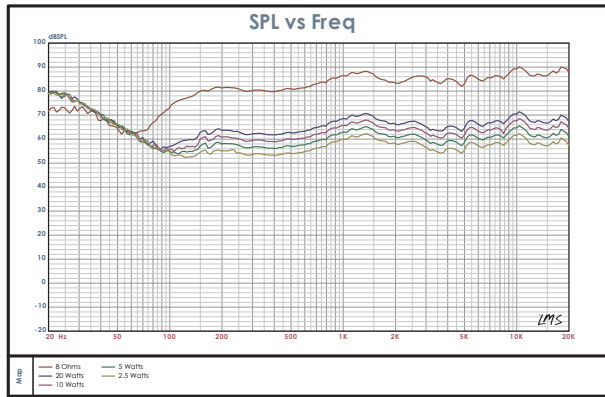
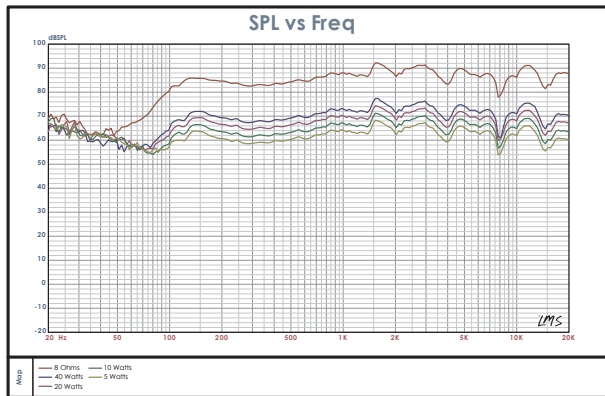


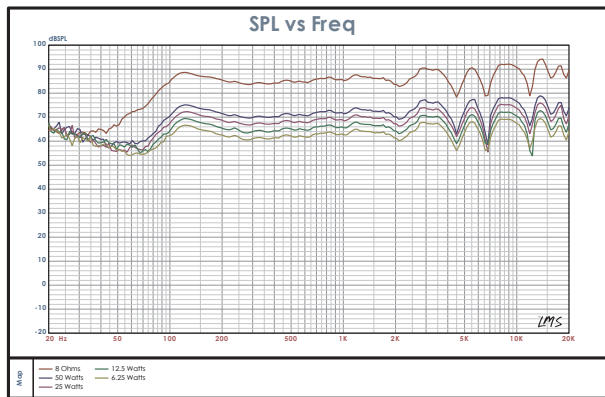
iD-PCS4



iD-PCS6



iD-PCS8



INSTALLATION INSTRUCTIONS

Step 1: Using the included template mark out the hole diameter to be cut out of the ceiling or wall cladding.

Using a suitable hand saw or hole saw, cut a round hole in the ceiling or wall cladding.

Cut-out dimensions:

iD-PCS4 = 163mm

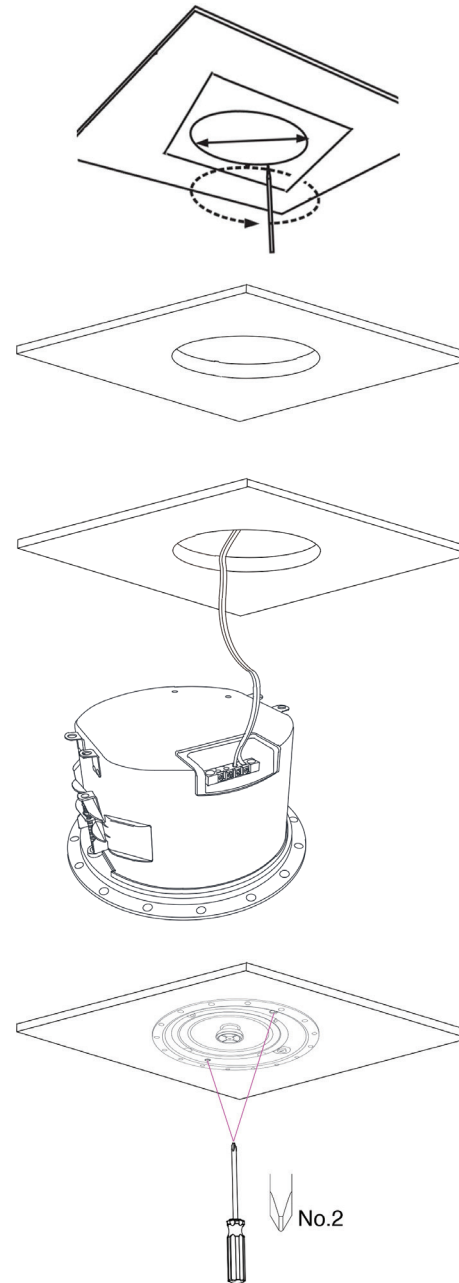
iD-PCS6 = 269mm

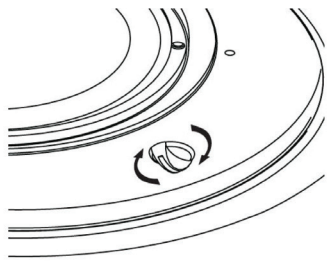
iD-PCS8 = 269mm

Step 2: Connect the speaker cable to the terminal block on the ceiling speaker. There are 2 positive and 2 negative screw terminals. It does not matter which positive and negative terminals you choose. You may also use the spare terminals to parallel wire other speakers into the same circuit.

Step 3: Using a powered (set clutch to low torque) drill or Phillips head screwdriver, drive screws clockwise to spread mounting wings and secure the ceiling speaker in place.

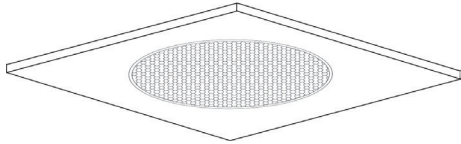
Care should be taken to avoid damaging the ceiling/wall cladding or speaker due to over-tightening the mounting screws and mounting wings.





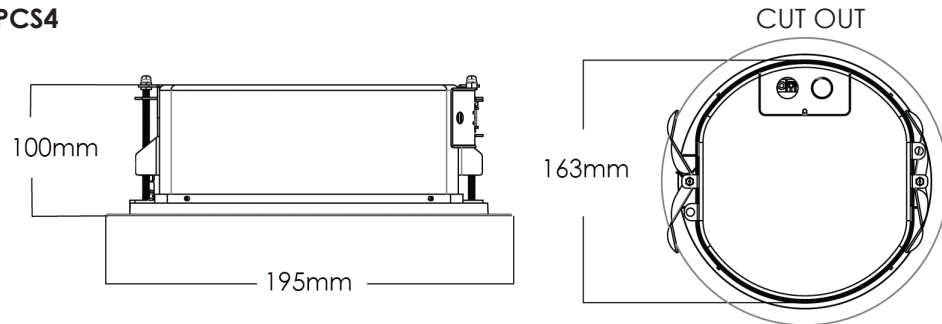
Step 4: Select 70V, 100V or 8 ohm bypass tapping via tapping rotary switch on front speaker baffle plate.

Install the included black or white magnetic grille.

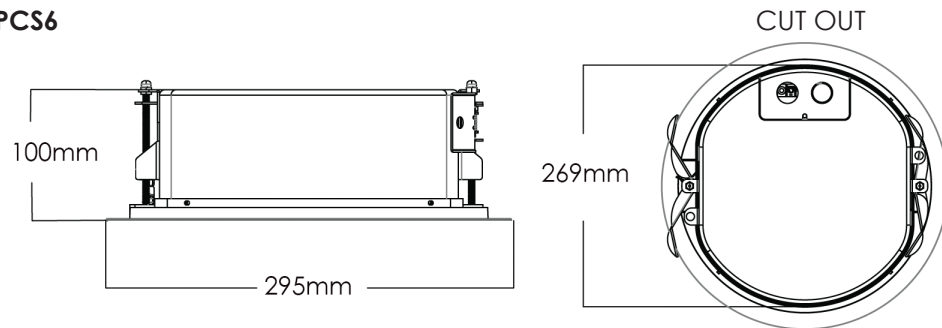


DIMENSIONS

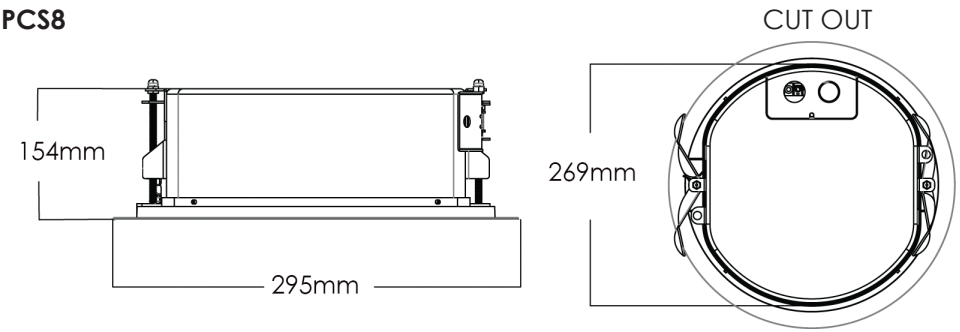
iD-PCS4



iD-PCS6

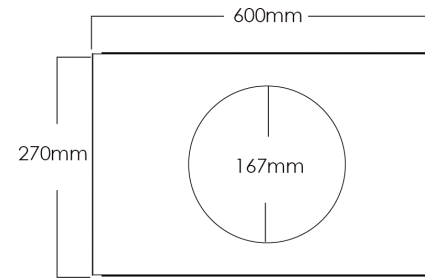


iD-PCS8

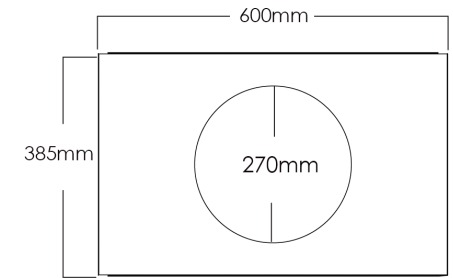


OPTIONAL ACCESSORIES

Tile Bridge for iD-PCS4: **iD-TB-PCS4**



for iD-PCS6/8: **iD-TB-PCS6-8**



SPECIFICATIONS	iD-PCS4	iD-PCS6	iD-PCS8
SPL 1W @ 1m	86dB	87dB	86dB
Freq. Response ± 3dB	140Hz - 20kHz	106Hz - 20kHz	100Hz - 20kHz
Tapping Selector	Rotary Switch front baffle		
Transformer Taps 100V	2.5, 5, 10, 20 watts 8 ohm	5, 10, 20, 40 watts 8 ohm	6.25, 12.5, 25, 50 watts 8 ohm
Transformer Taps 70V	1.25, 5, 10 watts 8 ohm	2.5, 5, 10, 20 watts 8 ohm	3.12, 6.25, 12.5, 25 watts 8 ohm
Max Power Handling	40W program, 20W RMS	80W program, 40W RMS	80W program, 50W RMS
Nominal Impedance	8 ohm		
Connection	Ceramic Screw Terminal IN/OUT		
Tweeter	0.5" (13mm) PEI soft dome	1" (25mm) Titanium dome	
Mid Driver	4" (100mm) Graphite Cone with rubber surround	6.5" (165mm) Graphite Cone with rubber surround	8" (203mm) Graphite Cone with rubber surround
Speaker Cut-out Diameter	163mm	269mm	
Product Dimensions Width x Depth	195mm x 100mm	295mm x 100mm	295mm x 154mm
Product Weight	2.2kg	3.4kg	4.2kg
Certifications	CE		
Optional Accessories	Tile Bridge: iD-TB-PCS4	Tile Bridge: iD-TB-PCS6-8	